



**Vacuum
Truck
Supplies**

QUALITY - INTEGRITY - COMMITMENT

EVAC 1600

PORTABLE VACUUM UNIT

**DESIGNED &
CONSTRUCTED
FOR BOTH
VACUUM AND
PRESSURE
OPERATION**

- *Stainless steel construction*
- *1600L waste capacity*
- *600L water capacity*

SUITABLE FOR:

*All forms of liquid /
sludge wastes*

- *Sewerage*
- *Septic*
- *Portable toilet*
- *Feedlot / agriculture sludges*
- *Aquaculture / fish waste*
- *Industrial*
- *Concrete cutting waste*
- *Paint booth sludges*
- *Communication pits*
- *Oily waters*
- *Waste cooking oil*
- *Many other wastes too!*

AUSTRALIA'S ONLY
AS1210 CL3 AND
AS4343 EPA COMPLIANT
PORTABLE VACUUM UNIT

Can be registered with Worksafe as plant equipment





**Vacuum
Truck
Supplies**

QUALITY - INTEGRITY - COMMITMENT

EVAC 1600

PORTABLE VACUUM UNIT

FEATURES AND BENEFITS

The VTS EVAC range is suited to all forms of liquid and sludge type wastes (not designed for hydro excavation or DG wastes). Proven rugged design coupled with stainless steel construction to wet areas means the full EVAC range will last a long long time. Top quality components from Europe and the US coupled with VTS's "simple is more" design makes for a cost effective and practical solution.

Australian Standard compliance is essential in today's business environments. The VTS EVAC range meets AS1210 for Pressure Vessels and also AS4343 for Hazard Levels. Don't leave yourself open to hefty fines due to non compliance!

VACUUM TANK

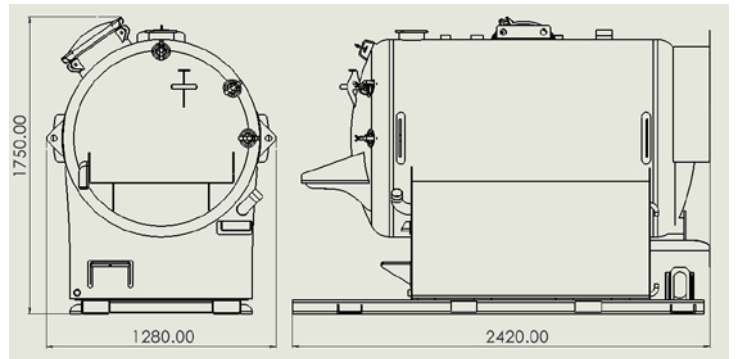
- Constructed from 5mm GR304 Stainless Steel
- Mounted on a mild steel skid frame, able to be forklifted from all four sides
- Top wash out manway
- Sight Glasses to observe waste level in tank
- Tie Down and lifting points
- 950kg empty weight
- Dimensions 2420mm L, 1280mm W, 1750mm H

VACUUM SYSTEM

- 70 CFM Conde vacuum pump, vacuum and pressure capable
- Honda 5.5hp petrol engine (Optional Hatz 6hp diesel) with battery and electric start
- 50mm vacuum system, 10m of suction hose fitted with 75mm inlet to tank and blockage access
- 75mm discharge valve
- Primary Shut Off
- Secondary Shut Off
- Oil Catch Muffler
- Pressure relief valve and Vacuum relief valve
- Vacuum and Pressure Gauge

WATER SYSTEM

- 600 litre fresh water capacity with sight tube
- Honda petrol powered water pump 25mm
- Retractable steel hose reel with 15m of water delivery hose



**For more information
or a full product specification sheet**
email sales@vacuumtrucks.com.au

Phone: (03) 5775 7300 or 1800 822 787
Email: sales@vacuumtrucks.com.au

vacuumtrucks.com.au